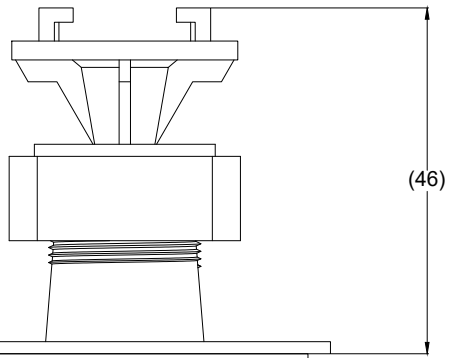
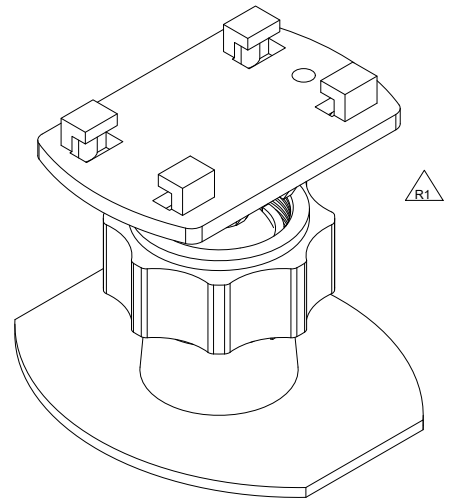
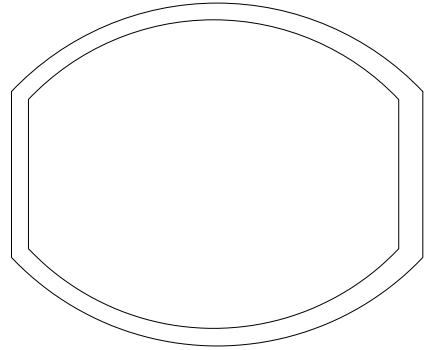
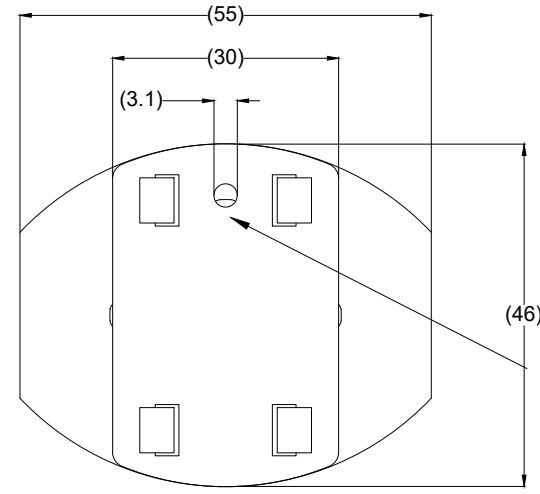


|  |                 |                  |                    |                |
|--|-----------------|------------------|--------------------|----------------|
| Revision Notes   |                 |                  |                    |                |
| R1 - TOOL PART BRACKET SCREW HOLE CHANGED FROM M2 TO M3 AS PER CR-A980 |                 |                  |                    |                |
| APA: MAGGIE HSU  | Drawn:L. CHEUNG | Checked:S. LAVAL | Approved:A. KEBEDE | Date: 14/12/22 |



ADHESIVE PAD



- NOTES:**
1. REFER TO MASTER BOM FOR PACKAGING INFORMATION.
  2. MATERIAL: ABS+PC
  3. FINISH: BLACK
  4. ADJUSTABLE IN ALL DIRECTIONS UP TO 28°

**PROPRIETARY NOTICE**  
 THIS DESIGN AND TECHNICAL INFORMATION APPEARING ON THIS DRAWING IS THE PROPERTY OF BRIGADE ELECTRONICS, AND IS DISCLOSED IN CONFIDENCE. IT IS NOT TO BE COPIED, REPRODUCED, REVEALED TO OR EXPROPRIATED BY OTHERS, EITHER IN WHOLE OR IN PART WITHOUT THE EXPRESS WRITTEN CONSENT OF BRIGADE ELECTRONICS.



|   |                         |                           |                      |
|---|-------------------------|---------------------------|----------------------|
| Assembly Pl Approval<br>J.TSAI - 20/07/17 | Approved by<br>B.CHILDS | Checked by<br>S.LAVER     | Drawn by<br>R.BATES  |
| Angle of Projection<br>                   | Units<br>mm             | Scale<br>N/A              | Released<br>20/07/17 |
| Status<br>RELEASED                        |                         | Assembly Ref<br>BS-BKT-01 |                      |
| Part No<br>4539                           |                         | BE-003722-01-17           |                      |